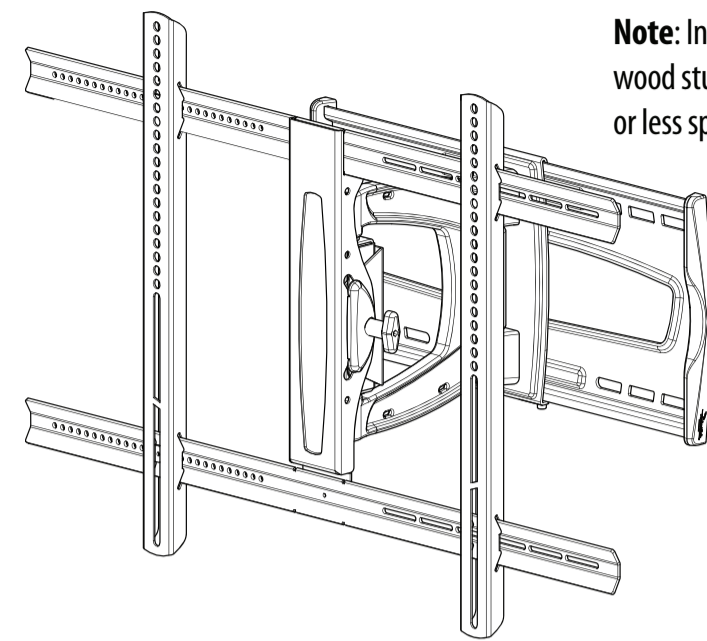


QUICK SETUP GUIDE

RF-TVMFM03



Note: Intended for use on wood stud walls with 16 in. or less spacing only.

Thank you for choosing the Rocketfish RF-TVMFM03. The RF-TVMFM03 TV mount is designed to support a flat-panel TV weighing up to 130 lbs. (58.9 kg).

Package contents

A Right vertical TV bracket (1)
B Left vertical TV bracket (1)
C Horizontal TV bracket (2)
D Arm assembly (1)
E Wall plate (1)

M4 bag

F M4 × 12 mm screws (4)
G M4 × 30 mm screws (4)
H M4/M5 washers (8)
I M4/M5 spacers (4)

M5 bag

J M5 × 12 mm screws (4)
K M5 × 30 mm screws (4)

M6 bag

L M6 × 12 mm screws (4)
M M6 × 20 mm screws (4)
N M6 × 35 mm screws (4)
O M6/M8 washers (4)
P M6/M8 spacers (4)

M8 bag

Q M8 × 16 mm screws (4)
R M8 × 40 mm screws (4)
S M8 × 60 mm screws (4)

Hex key bag

T 3/16 in. hex key (1)

Lag bolt bag

U Lag bolt washer (4)
V 5/16 in. × 2-3/4 in. lag bolt (4)

Bracket hardware

W 9/16 in. × 8/32 in. Phillips head screw (4)
X 3/8 in. × 8/32 in. Phillips head screw (1)

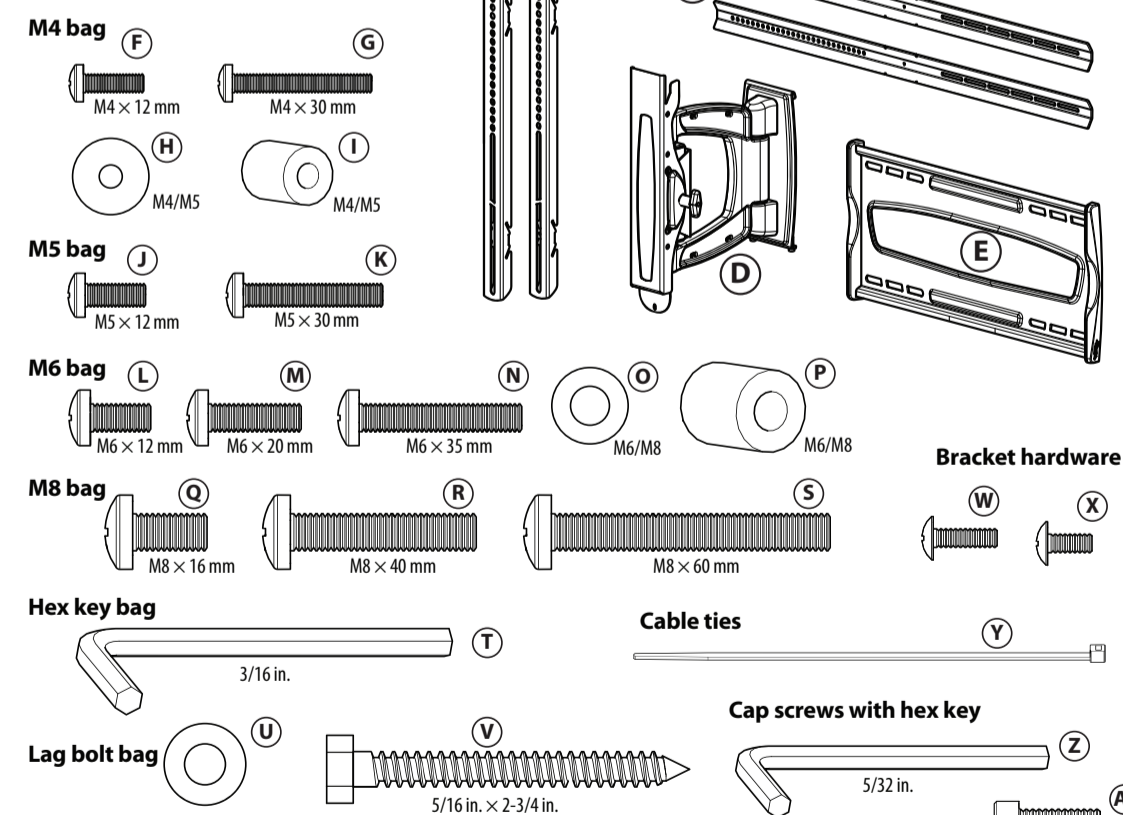
Cable ties

Y 8 in. nylon cable ties (5)

Cap screws

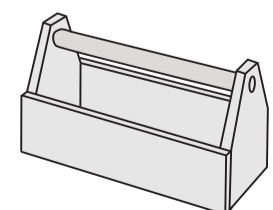
Z 5/32 in. hex key (1)

AA Cap screws (2)



Tools you will need:

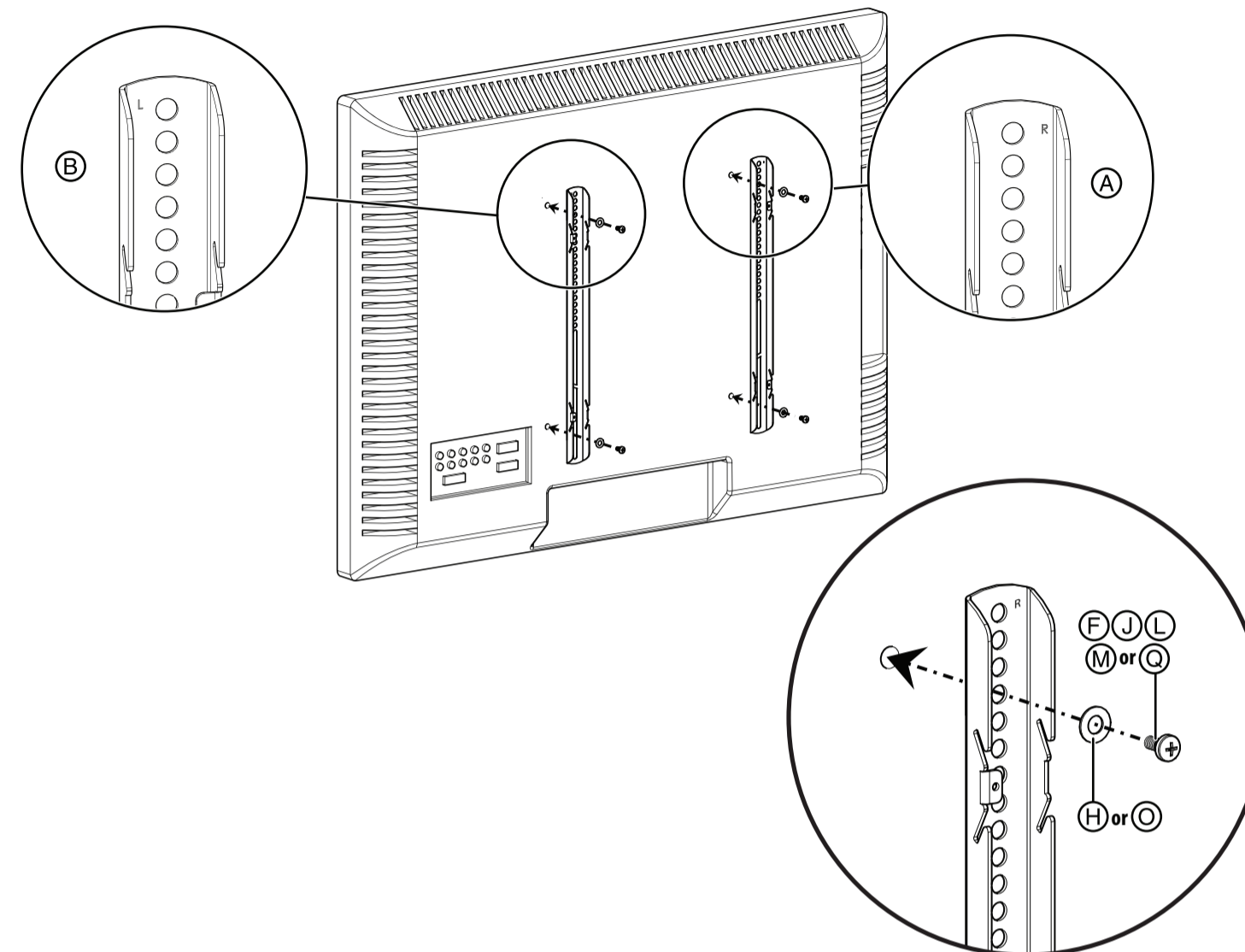
- Stud finder
- Awl
- Pencil
- Level
- Tape measure
- Phillips screwdriver
- Socket wrench with 1/2 in. socket or adjustable wrench
- 7/32 in. wood drill bit
- Power drill



1 Install the TV brackets

Option 1: Installing for a flat mounting surface

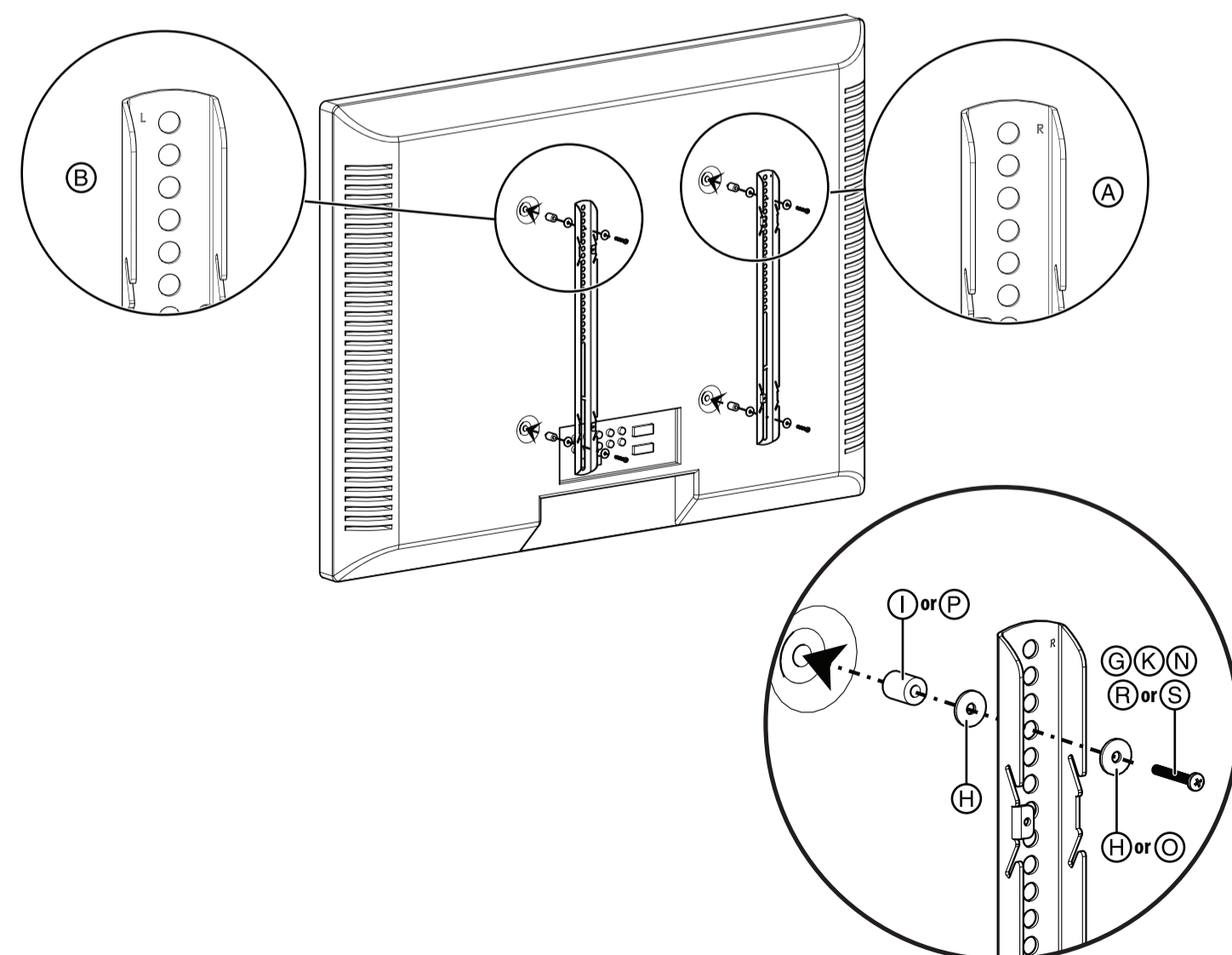
- 1 Align the TV brackets (A and B) with the screw holes on the back of the TV.
- 2 Place the M4/M5 washers (H) or M6/M8 washers (O) over the holes in the TV brackets that align with the screw holes on the back of the TV, then insert the M4 screws (F), M5 screws (J), M6 screws (L or M), or M8 screws (Q) through the washers.
- 3 Tighten the screws until they are snug against the TV bracket. Do not over tighten.



Option 2: Installing for an obstructed mounting surface

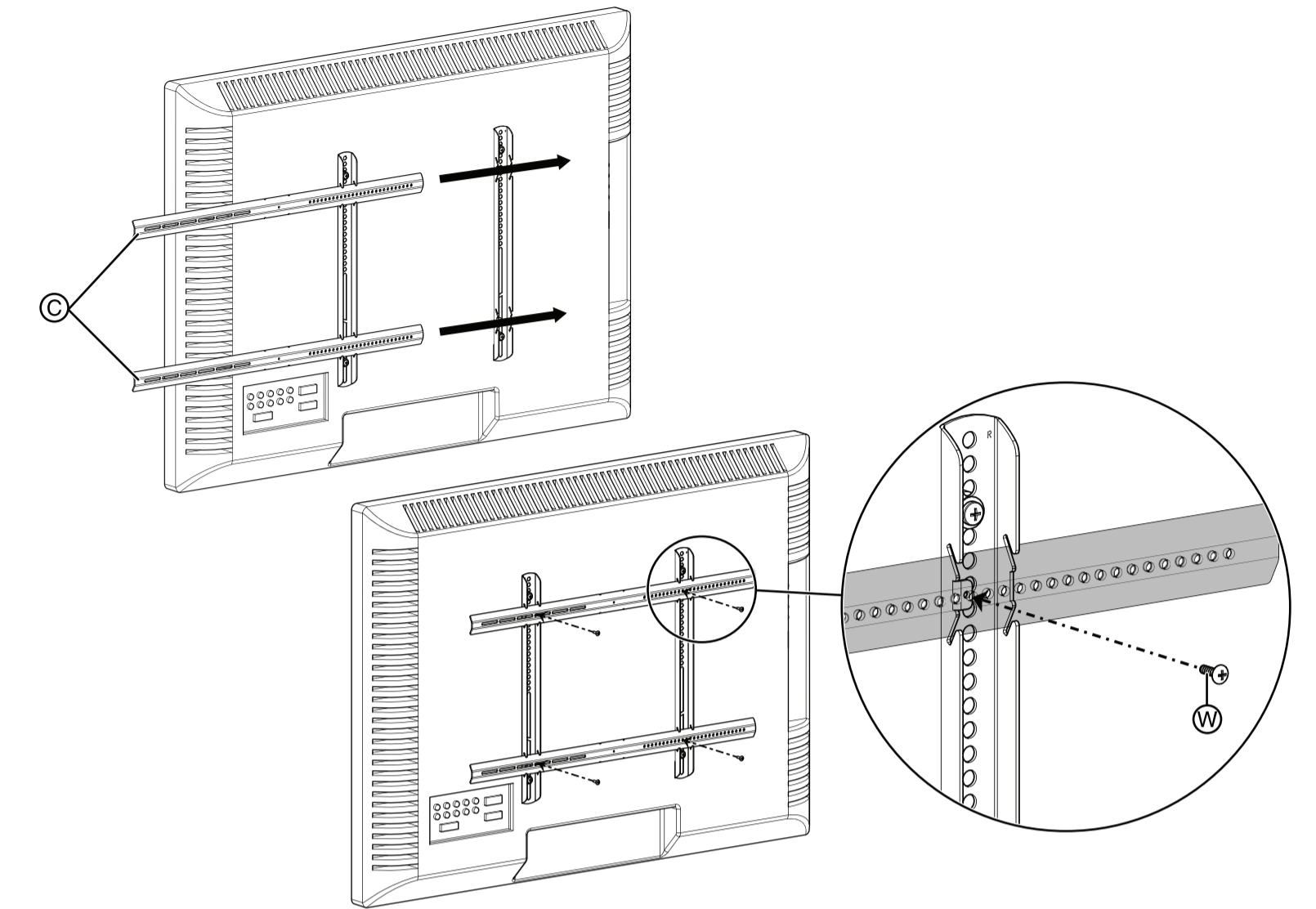
Note: Use additional washers (H) with M4/M5 hardware only.

- 1 Place the M4/M5 spacers (I) or M6/M8 spacers (P) and the M4/M5 washers (H) into the recessed screw holes on the back of the TV.
- 2 Align the TV brackets (A and B) with the spacers and washers on the back of the TV.
- 3 Place the M4/M5 washers (H) or M6/M8 washers (O) over the holes in the TV brackets that align with the screw holes on the back of the TV, then insert the M4 screws (G), M5 screws (K), M6 screws (N), or M8 screws (R or S) through the washers.
- 4 Tighten the screws until they are snug against the TV bracket. Do not over tighten.



2 Add the horizontal bars

- 1 Slide the horizontal bars (C) through the wire guides on the TV brackets.
- 2 Secure the bars to the TV brackets using the 9/16 in. × 8/32 in. Phillips head screws (W).

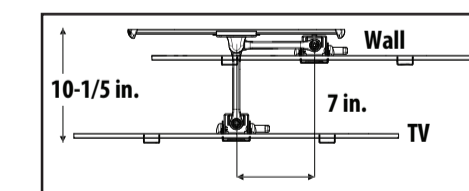
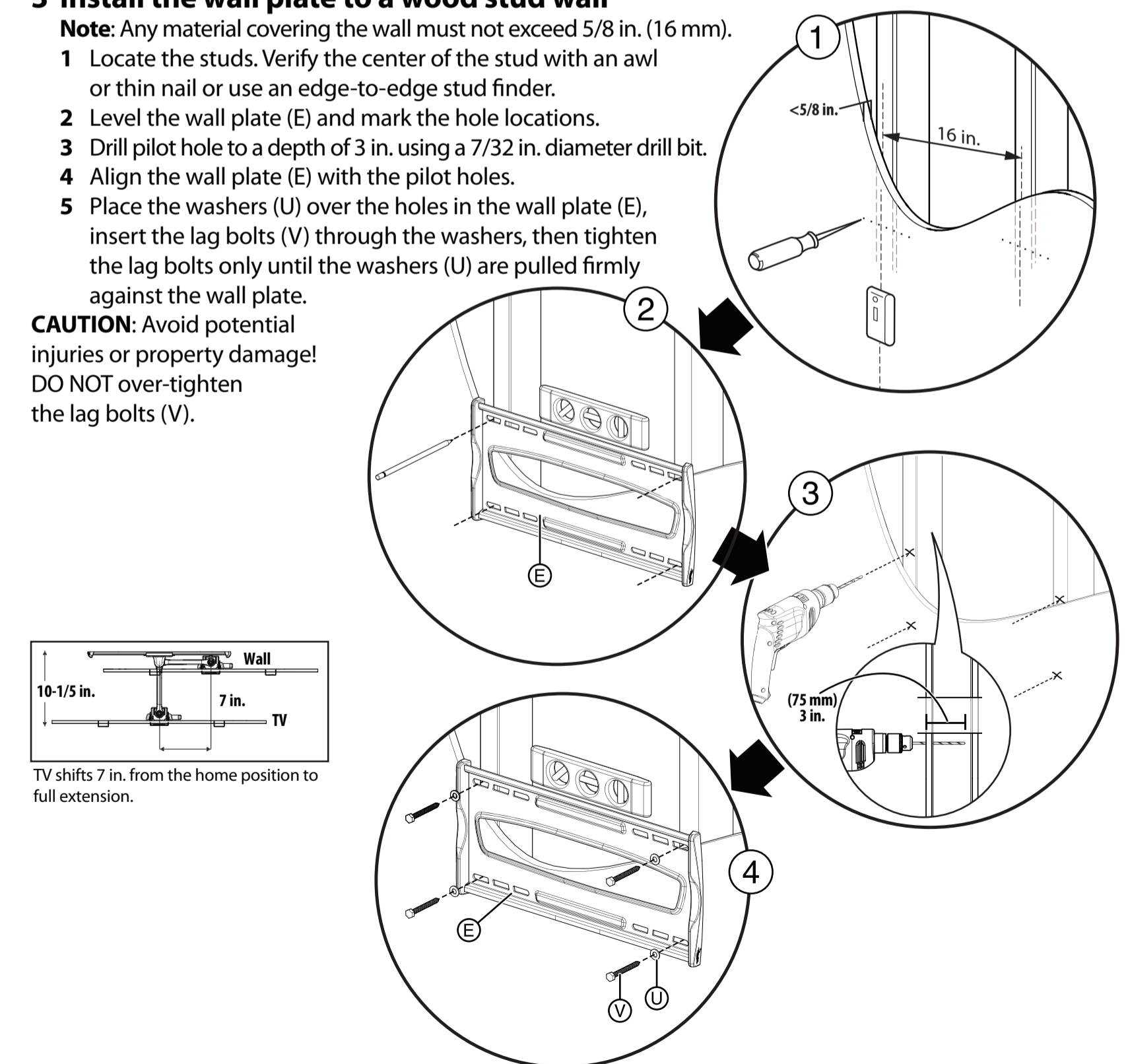


3 Install the wall plate to a wood stud wall

Note: Any material covering the wall must not exceed 5/8 in. (16 mm).

- 1 Locate the studs. Verify the center of the stud with an awl or thin nail or use an edge-to-edge stud finder.
- 2 Level the wall plate (E) and mark the hole locations.
- 3 Drill pilot hole to a depth of 3 in. using a 7/32 in. diameter drill bit.
- 4 Align the wall plate (E) with the pilot holes.
- 5 Place the washers (U) over the holes in the wall plate (E), insert the lag bolts (V) through the washers, then tighten the lag bolts only until the washers (U) are pulled firmly against the wall plate.

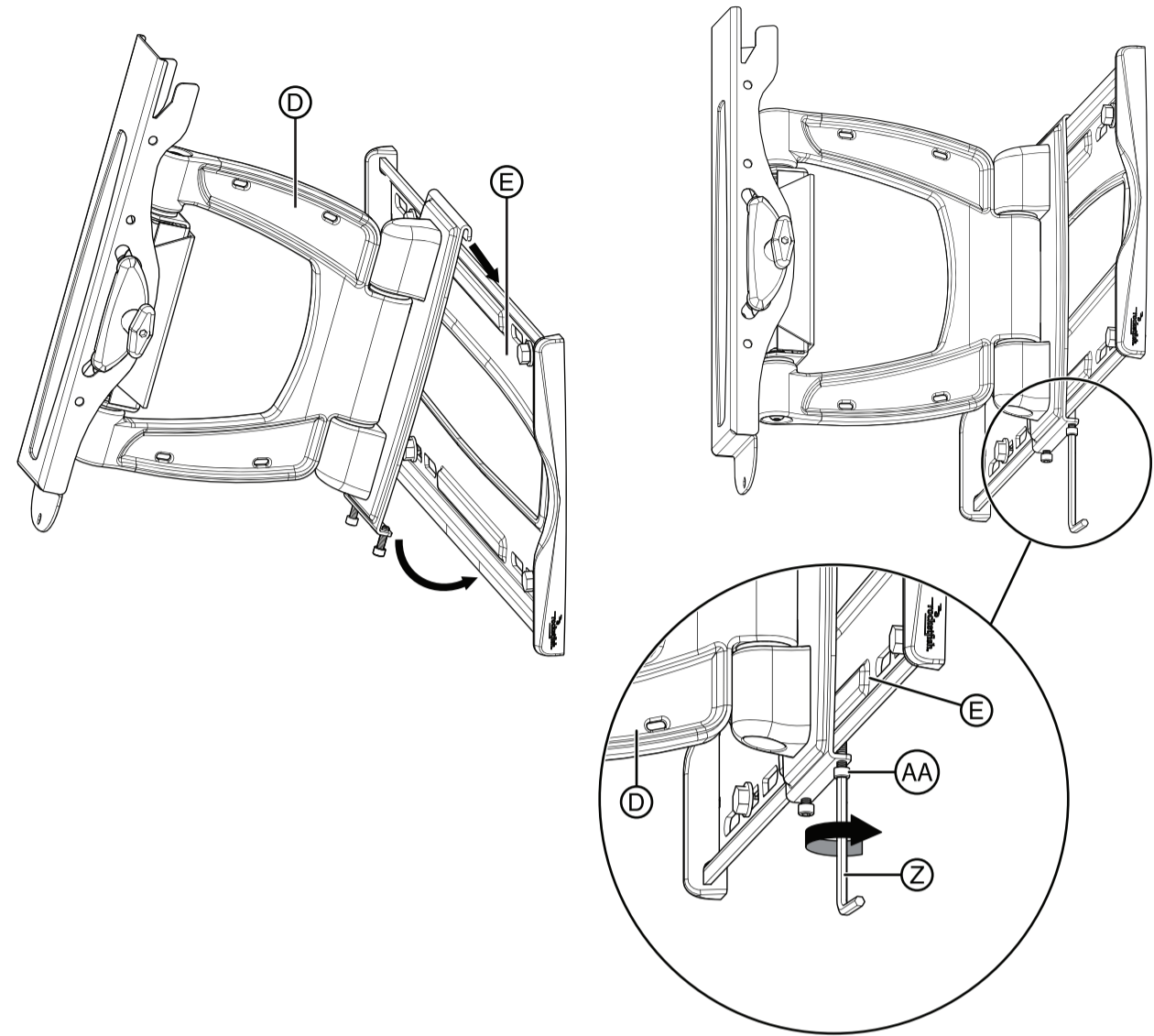
CAUTION: Avoid potential injuries or property damage! DO NOT over-tighten the lag bolts (V).



TV shifts 7 in. from the home position to full extension.

4 Add the arm assembly to the wall plate

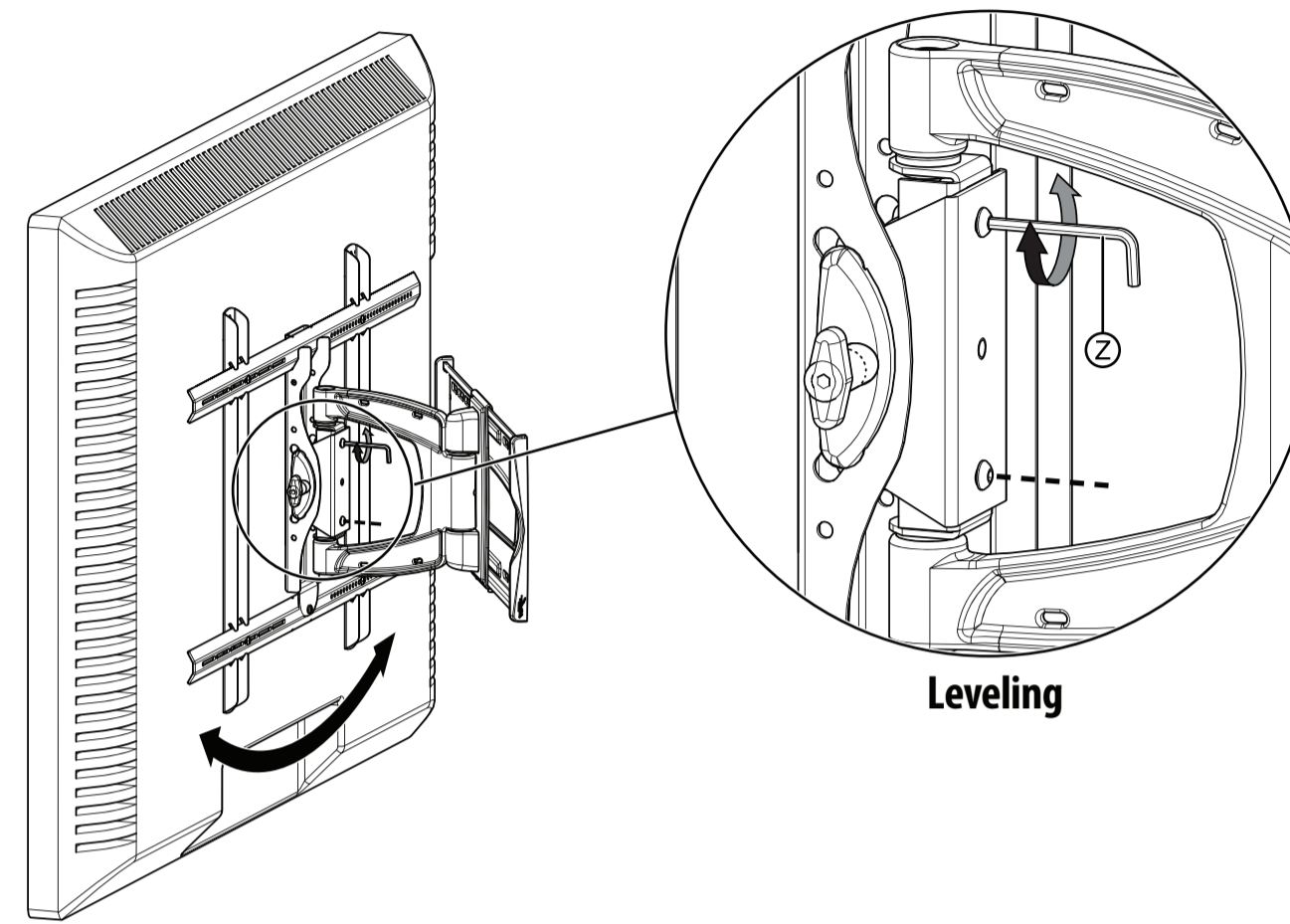
- 1 Hang the upper lip of the arm assembly (D) over the top lip on the wall plate (E), then lower the bottom lip of the arm assembly into the bottom lip on the wall plate.
- 2 Secure the arm assembly (D) with the two cap screws (AA) using the 5/32 in. hex key (Z).



6 Adjust the viewing angle

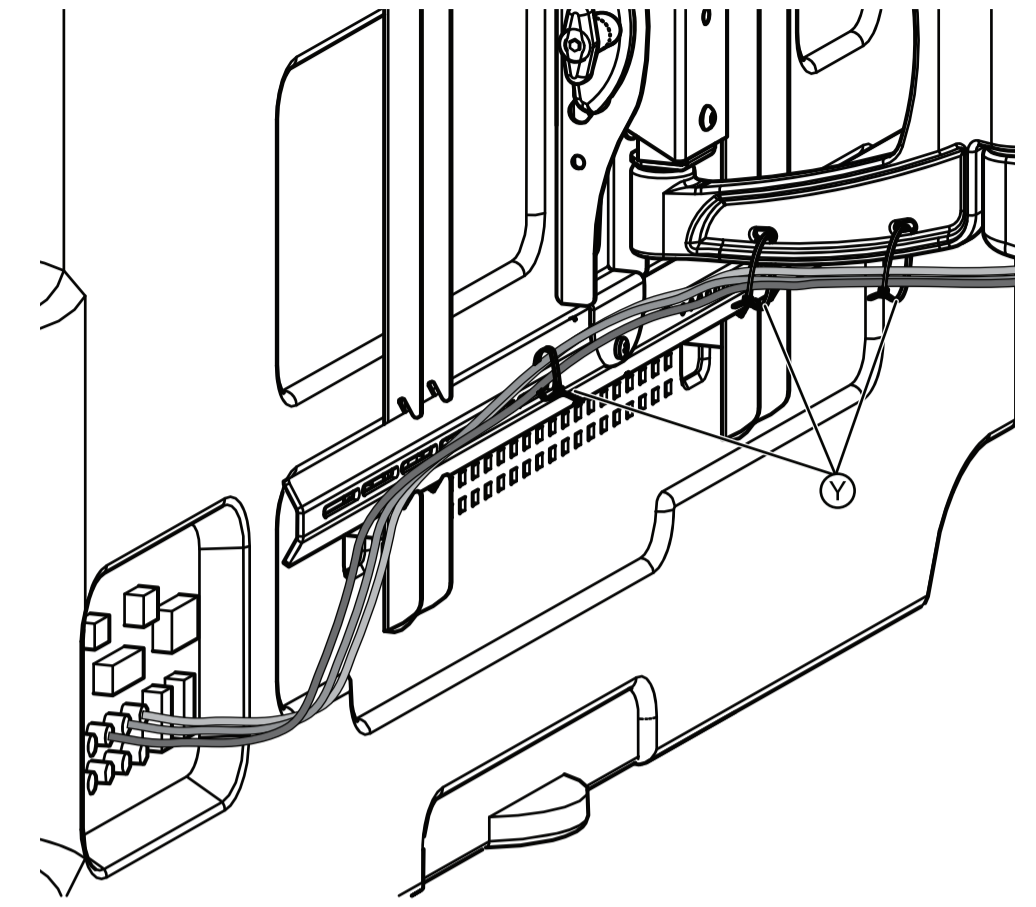
When the television is mounted onto the arm assembly and secured, it can be adjusted to make it level.

- 1 Loosen the two screws on the arm assembly using the 5/32 in. hex key (Z).
- 2 Adjust the TV $\pm 6^\circ$ either clockwise or counter-clockwise.
- 3 Retighten the screws.



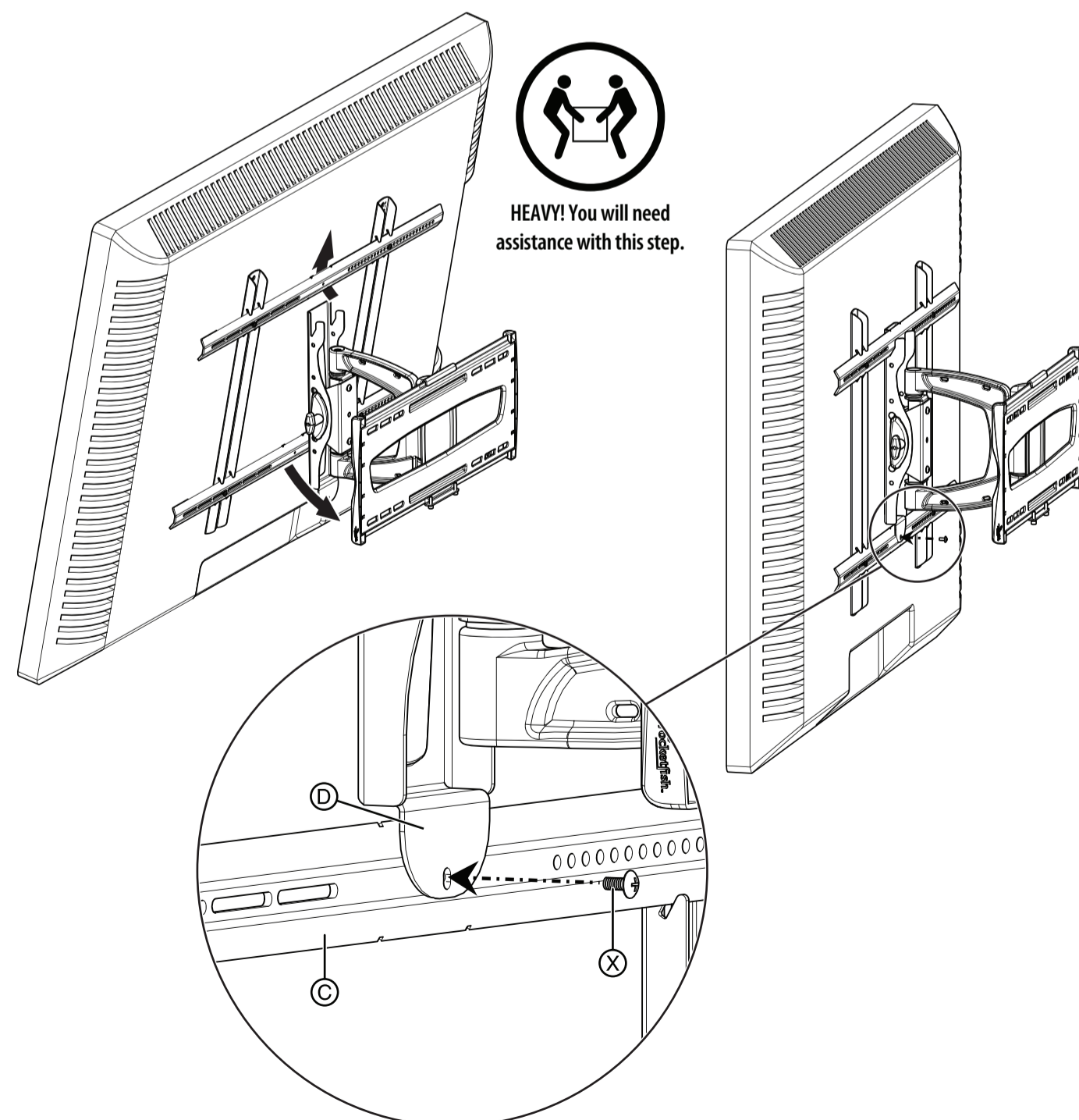
8 Manage the cables

Use cable ties (Y) to bundle and secure TV cables to the arm assembly.



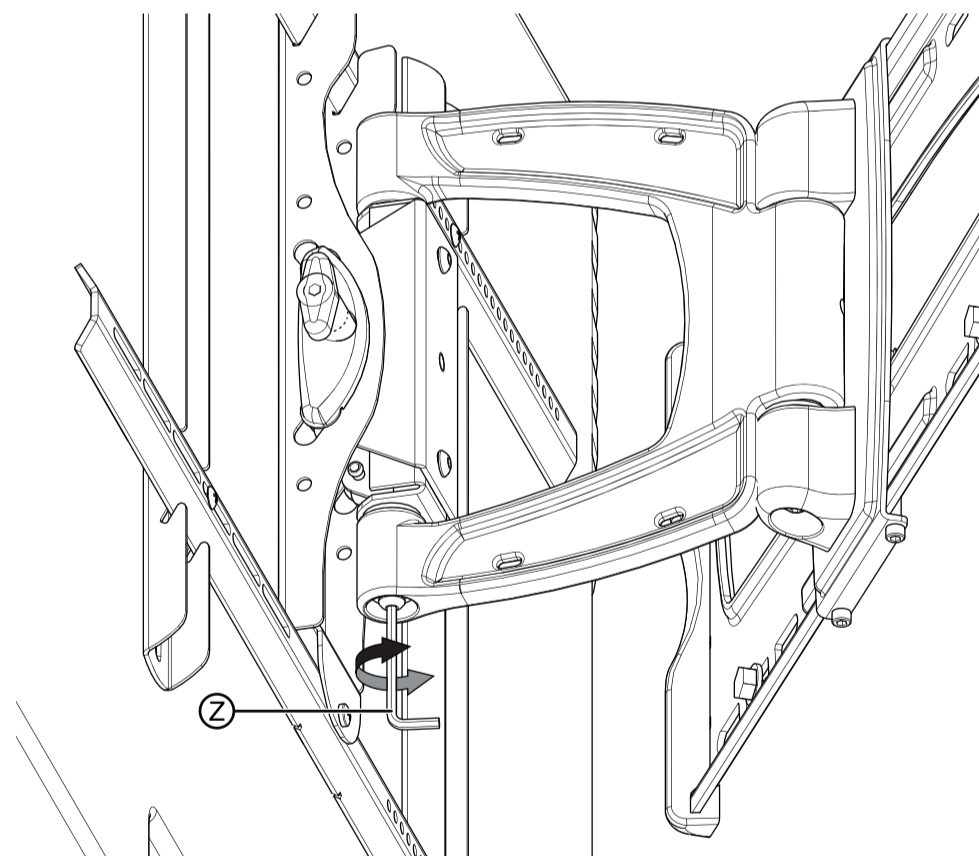
5 Add the TV/bracket to arm assembly

- 1 Slide the top and bottom edges of the arm assembly under the metal tabs on the TV horizontal brackets (C).
- 2 Align the center hole in the lower horizontal bar (C) with the hole in the face of the arm assembly (D) and secure the TV with the bracket screw (X).



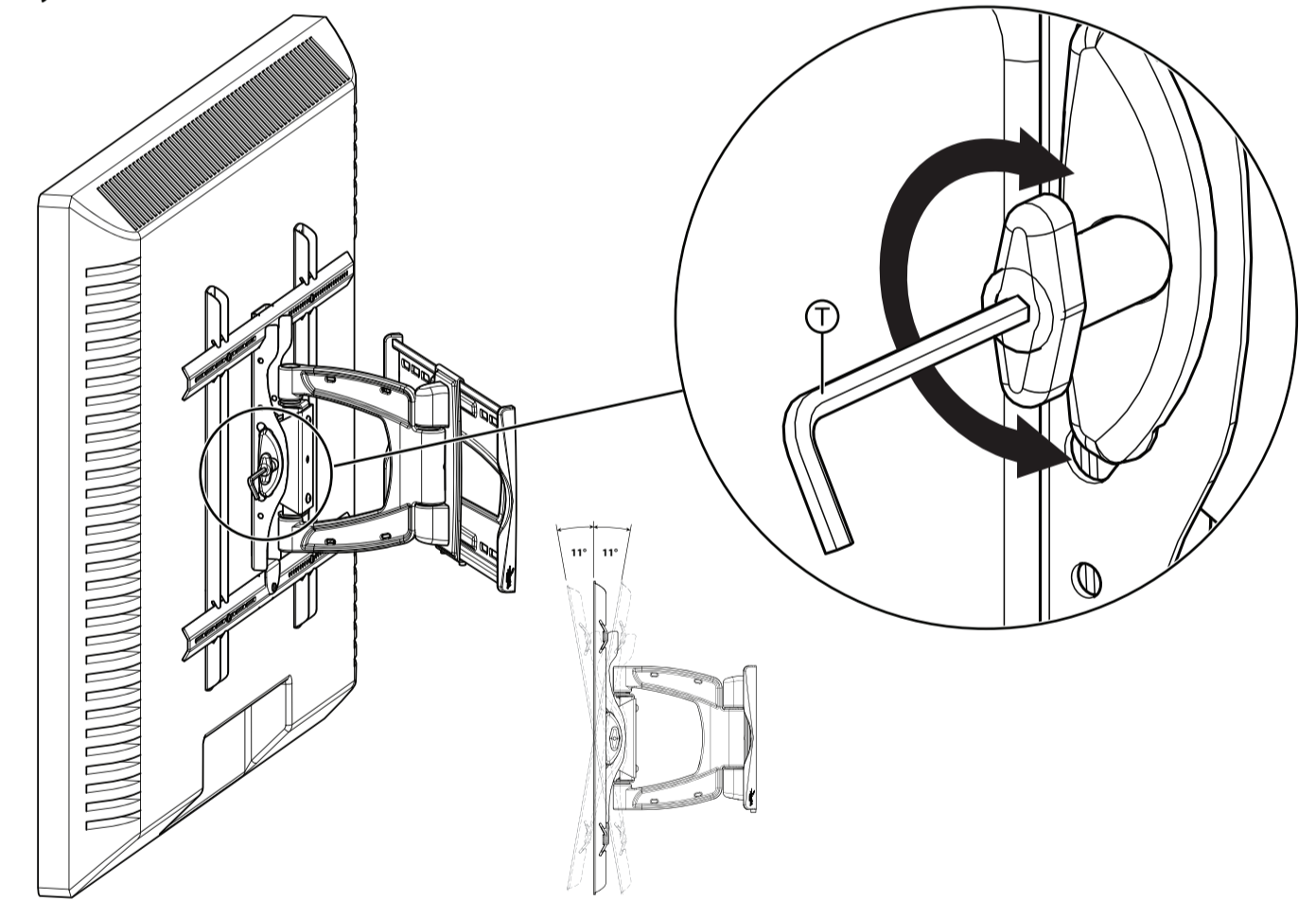
7 Adjust the swivel tension

Adjust the swivel tension using the 5/32 in. hex key (Z).



9 Adjust the tilt

Adjust the tilt of the TV forward or backward 10° using your fingers or the 3/16 in. hex key (T).



IMPORTANT SAFETY INSTRUCTIONS SAVE THESE INSTRUCTIONS

CAUTION: Do not use this product for any purpose not explicitly specified by Rocketfish. Improper installation may cause property damage or personal injury. If you do not understand these directions, or have doubts about the safety of the installation, contact Customer Service or call a qualified contractor. Rocketfish is not responsible for damage or injury caused by incorrect installation or use.

The weight of your TV must not exceed 130 lb (58.9 kg). The wall must be capable of supporting five times the weight of the TV and wall mount combined.

This product contains small items that could be a choking hazard if swallowed. Keep these items away from young children!

5-year limited warranty

Visit www.rocketfishproducts.com for details.

We're here for you

www.rocketfishproducts.com

For customer service, call:

800-620-2790 (U.S./Canada markets)

© 2010 BBY Solutions, Inc., All Rights Reserved.
 Distributed by Best Buy Purchasing, LLC 7601 Penn Avenue South, Richfield, MN USA 55423-3645
 Distribuido por Best Buy Purchasing, LLC
 Best Buy Imports, S. de R.L. de C.V. Av. Santa Fe 485, Segundo Piso, Colonia Cruz Manca, Programa Parcial de Desarrollo Santa Fe, Delegación Cuajimalpa, Distrito Federal, México 05349
 ROCKETFISH is a trademark of BBY Solutions, Inc. All other products and brand names are trademarks of their respective owners.
 6907-002019 <00>